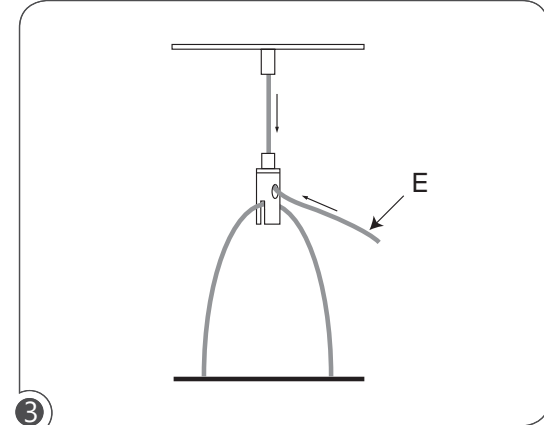
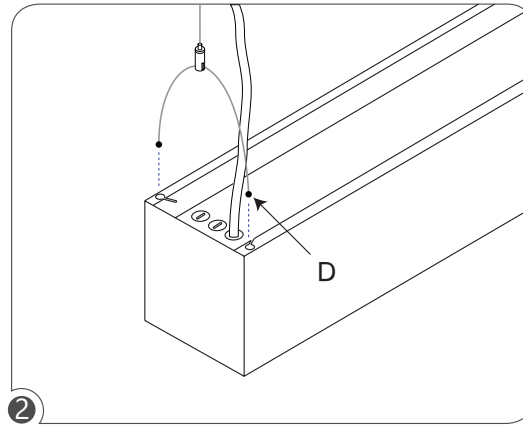
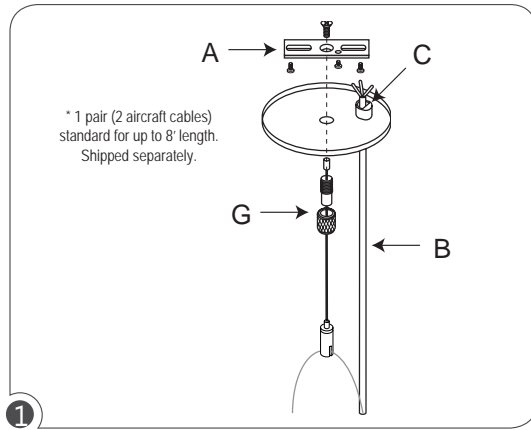




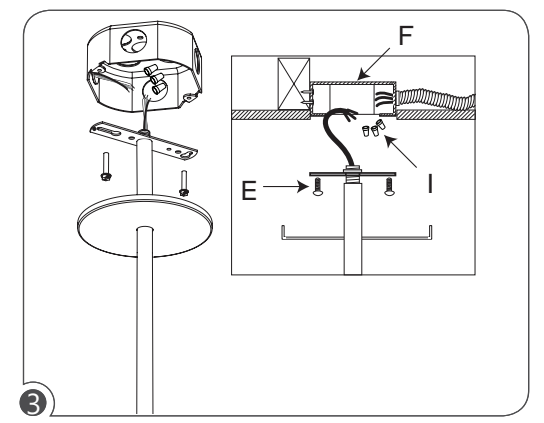
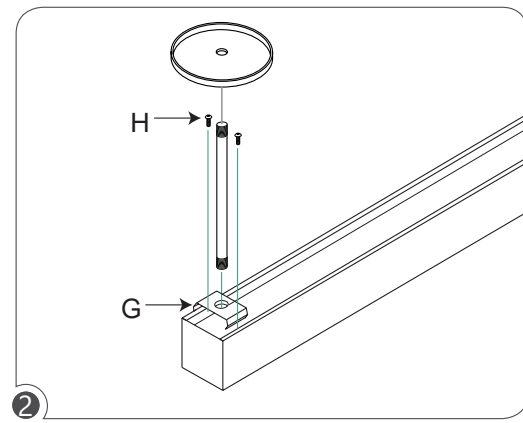
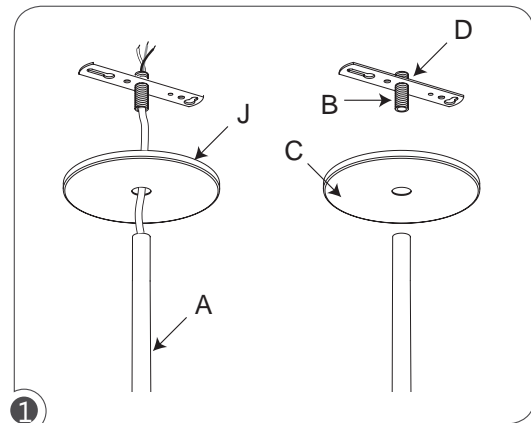
12100-20 | 12100-40 - INSTALLATION INSTRUCTIONS FOR 100% INDIRECT LIGHT

FOR PENDANT

Aircraft Cable:

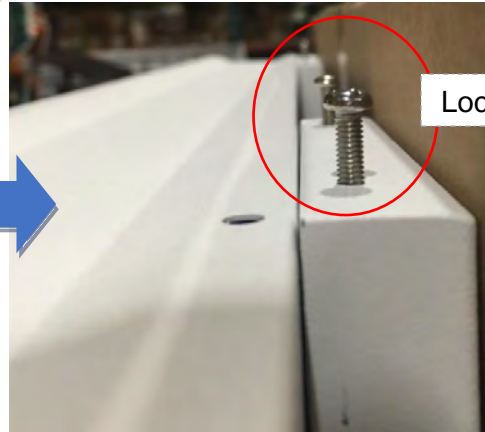


Stem:



FOR WALL

For 100% Indirect Light - Wall Mount: The downlight cover should be installed last after fixing the fixture against the wall using wall mount brackets.



Lock wall mount bracket

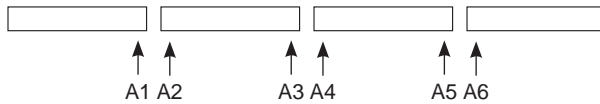
Make sure the level of the fixture and wall mount bracket are aligned as shown in this image.

FOR CONTINUOUS ROW

TOOL(S) NEEDED:

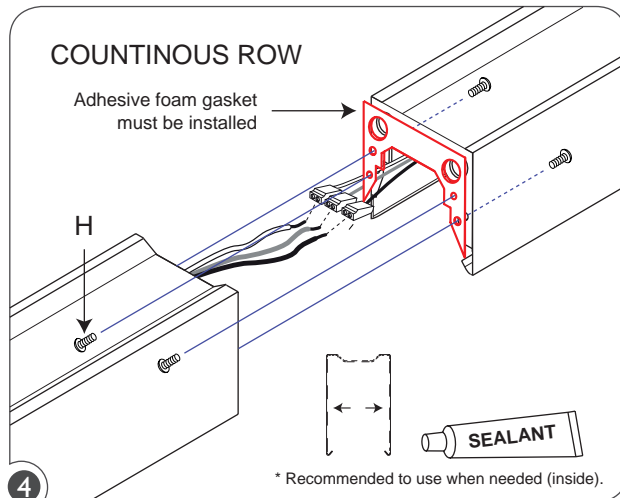
Option 1) Cordless drill and an elbow or L-shape adapter with Philips Insert Bit extension.

Option 2) Flexible Screwdriver with Philips Insert Bit.



Continuous Row

Align continuous row fixtures in numerical order under the same alphabet family.



- 1) Make wiring connection from each fixture power supply wires together.
- 2) Align fixtures and screw together with 4 screws(H).



12100-20 | 12100-40 - INSTALLATION INSTRUCTIONS FOR 100% INDIRECT LIGHT



Install the downlight cover following the instructions under #1 on the first page to complete installation.

* Due to the material, it is not recommended to remove the downlight cover once installed.